

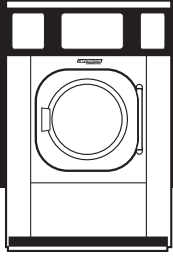
# Architectural/Mechanical Product Specifications



**GIRBAU, INC.**

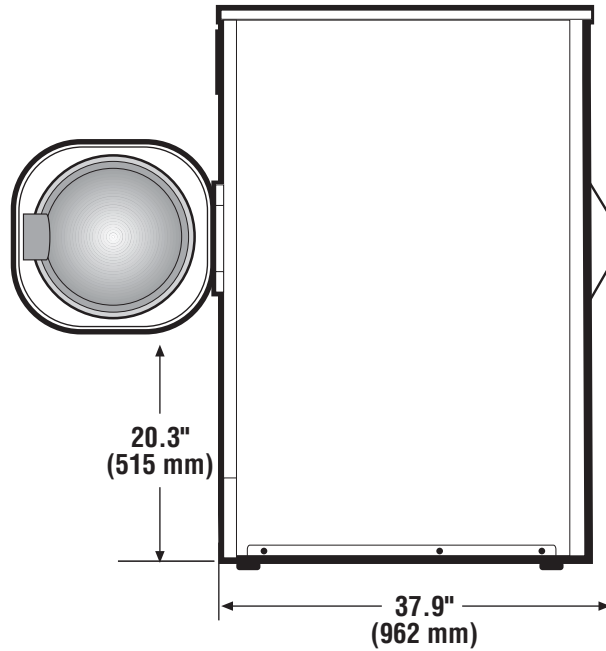
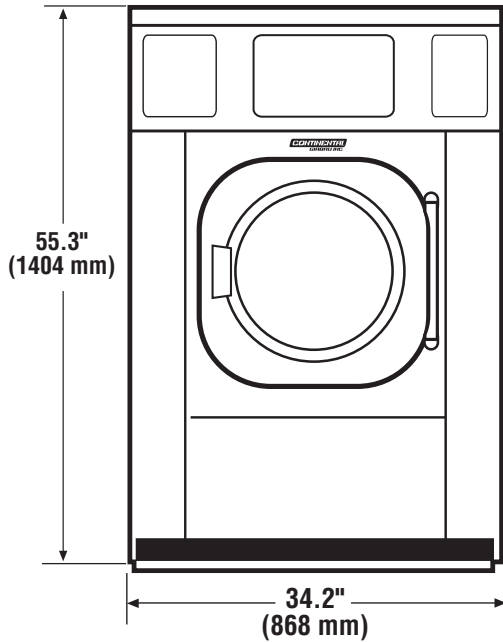
2500 State Road 44 • Oshkosh, WI 54904  
920.231.8222 • FAX 920.231.4666

[www.continentalgirbau.com](http://www.continentalgirbau.com)

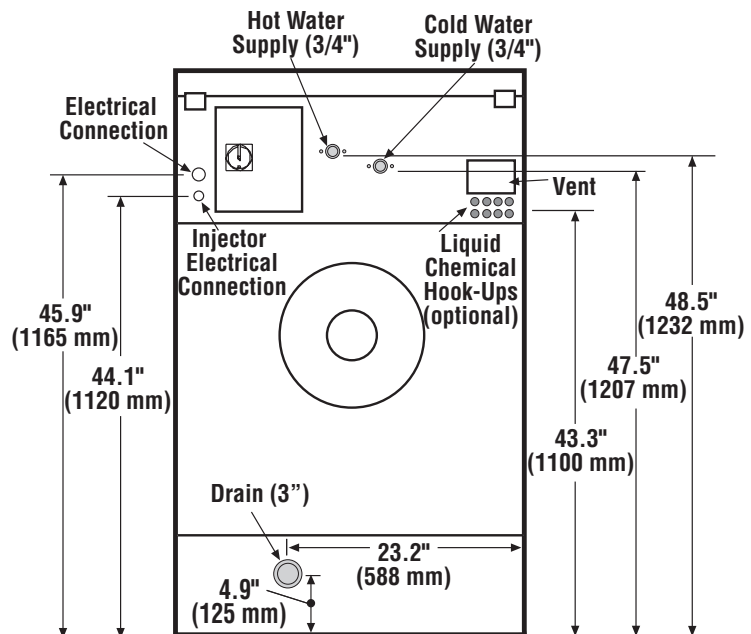


# EH040

**COIN-OP E-SERIES 40-POUND CAPACITY  
HIGH PERFORMANCE WASHER-EXTRACTOR**



Electrical Data		
Voltage	Wire Config	Amp Protection
208-240/60/1	2W+G	10



\* Specifications subject to change without notice or obligation. Call Continental Girbau, Inc for dimensions not shown or for clarification.



## Coin-Op EH040 Product Technical Specifications

Capacity	40 lbs.	(17.3 kg)
Cylinder Diameter	27.6 in.	(700 mm.)
Cylinder Depth	17.7 in.	(450 mm.)
Cylinder Volume	6.1 cu. ft.	(173 dm <sup>3</sup> )
Crated Weight	1091 lbs.	(495 kg.)
Net Weight	1049 lbs.	(476 kg.)
Width	34.2 in.	(868 mm.)
Overall Depth	37.9 in.	(962 mm.)
Height	55.3 in.	(1404 mm.)
Door Opening	16.8 in.	(426 mm.)
Floor to Door	20.3 in.	(515 mm.)
Washing Speed	44 rpm	
Spin Speeds	44/100/351/550/750/950 rpm	
G-Force	0.75/4/48/119/221/354	
Drain Diameter	3 in.	(76 mm.)
Water Inlets (2)	3/4 in.	(19 mm.)
Recommended Water Pressure	30-60 PSI	(2-4 bar)
Water Flow	16 gal/min.	(60 l/min.)
Motor Power	1.6 kW	
Shipping Dimensions (W x D x H)	35.3 x 40 x 61.6 in.	(897 x 1017 x 1565 mm.)
Modified Energy Factor (MEF)*	1.96	
Water Consumption Factor (WCF)*	5.04	

\* Modified Energy Factor (MEF) measured in cubic feet per kilowatt-hour per cycle. Water Consumption Factor (WCF) measured in gallons per cycle per cubic foot. MEF and WCF statistics are according to DOE test results report by Intertek, an independent testing laboratory, dated February 27, 2007.

\*\* Specifications subject to change without notice or obligation. Call Continental Girbau, Inc for dimensions not shown or for clarification.

