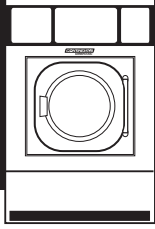


Architectural/Mechanical Product Specifications



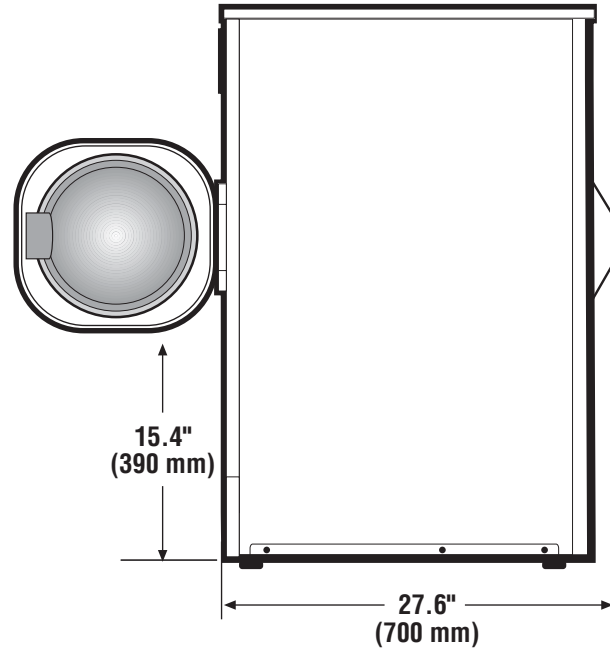
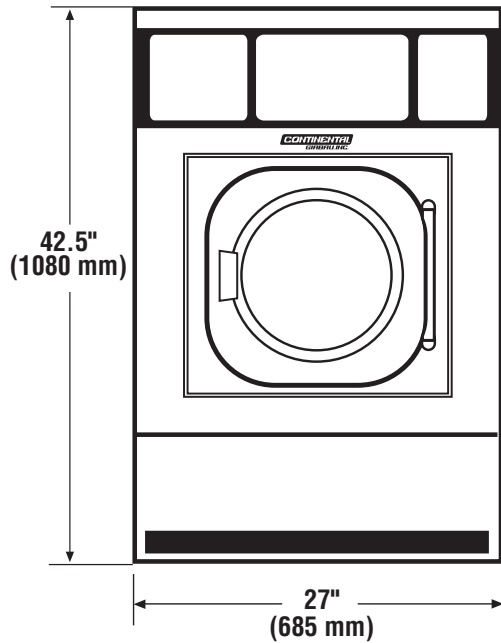
GIRBAU, INC.

2500 State Road 44 • Oshkosh, WI 54904
 920.231.8222 • FAX 920.231.4666
www.continentalgirbau.com



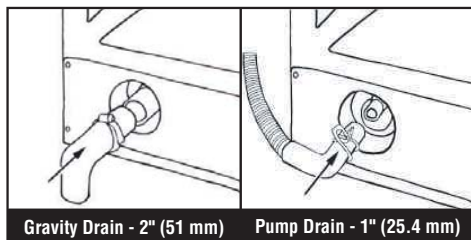
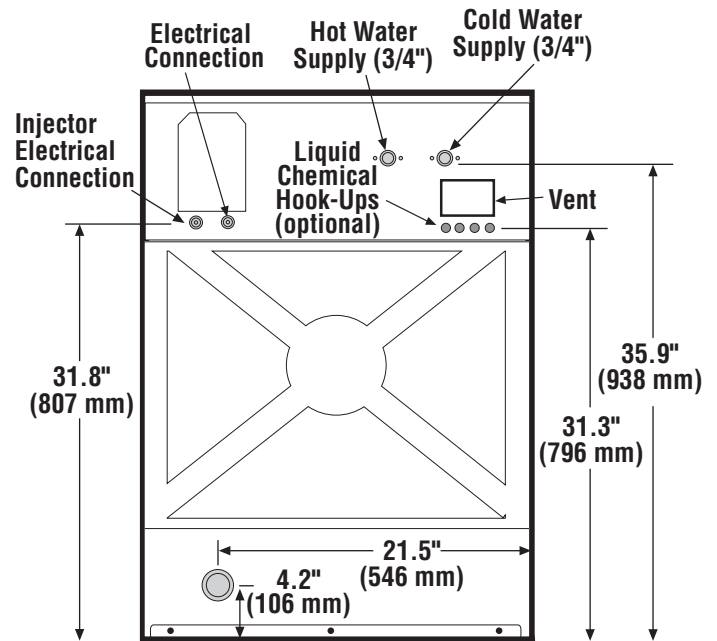
EH020

**COIN-OP E-SERIES 20-POUND CAPACITY
 HIGH PERFORMANCE WASHER-EXTRACTOR**



Electrical Data

| Voltage | Wire Config. | Amp Protection |
|----------|--------------|----------------|
| 120/60/1 | 3-prong cord | 15 |



* Specifications subject to change without notice or obligation. Call Continental Girbau, Inc for dimensions not shown or for clarification.



Coin-Op EH020 Product Technical Specifications

| | | |
|---------------------------------|----------------------------|-------------------------|
| Capacity | 20 lbs. | (8 kg.) |
| Cylinder Diameter | 21.1 in. | (536 mm.) |
| Cylinder Depth | 13.8 in. | (351 mm.) |
| Cylinder Volume | 2.8 cu. ft. | (79.2 dm ³) |
| Net Weight | 279 lbs. | (127 kg.) |
| Crated Weight | 301 lbs. | (137 kg.) |
| Height | 42.5 in. | (1080 mm.) |
| Overall Depth | 27.6 in. | (700 mm.) |
| Width | 27 in. | (685 mm.) |
| Door Opening | 12.7 in. | (322 mm.) |
| Floor to Door | 15.4 in. | (390 mm.) |
| Washing Speed | 50 rpm | |
| Spin Speed | 50/100/580/690/780/970 rpm | |
| G-Force | 0.75/3/101/143/183/300 | |
| Drain Diameter | Pump Drain | 1 in. (25.4 mm.) |
| | Gravity Drain | 2 in. (51 mm.) |
| Water Inlets (2) | 3/4 in. | (19 mm.) |
| Recommended Water Pressure | 30-60 PSI | (2-4 bar) |
| Water Flow | 8 gal/min. | (30 l/min.) |
| Motor Power | 0.8 Kw | |
| Shipping Dimensions (W x D x H) | 28.3 x 29.1 x 47.7 in. | (720 x 740 x 1212 mm.) |
| Modified Energy Factor (MEF)* | 2.21 | |
| Water Consumption Factor (WCF)* | 5.03 | |



* Modified Energy Factor (MEF) measured in cubic feet per kilowatt-hour per cycle. Water Consumption Factor (WCF) measured in gallons per cycle per cubic feet. MEF and WCF statistics are according to DOE test results report by Intertek, an independent testing laboratory, dated February 27, 2007.

** Specifications subject to change without notice or obligation. Call Continental Girbau, Inc for dimensions not shown or for clarification.

